

1001

Wheel Dumpers



**WACKER
NEUSON**
all it takes!



The All-Round Dumper

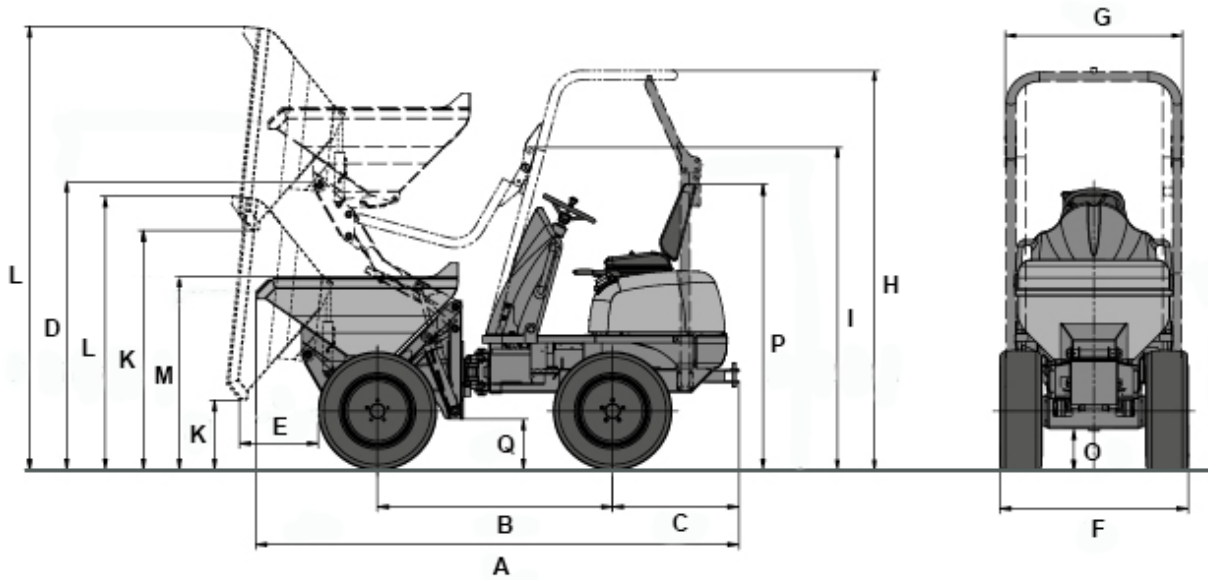
Fast, safe and easy transport even on the roughest of terrain and a discharge height of up to 1.56 m... the four-wheel dumper 1001 is particularly versatile, agile and extremely robust.

- High-tipping skip (1.56 m dumping height); maximum payload 1000 kg.
- Compact dimensions, optional narrow tires (990 mm machine width).
- Hydrostatic twin-lock four-wheel drive; continuously variable speed up to 14 km/h max.
- Large service and maintenance access.
- Clearly laid out instrument panel and wide, robust leg protection.

1001 Technical specifications

| | High tip skip | Narrow |
|--|--------------------|-------------------|
| Operating data | | |
| Payload kg | 1,000 | 850 |
| Shipping weight kg | 1,215 | 1,150 |
| Skip capacity level l | 415 | 415 |
| Skip capacity heaped l | 525 | 525 |
| Skip capacity water volume l | 275 | 275 |
| Engine / Motor | | |
| Engine / Motor manufacturer | Yanmar | Yanmar |
| Engine / Motor type | 3TNV76 | 3TNV76 |
| Engine / Motor | Diesel | Diesel |
| Engine performance acc. to ISO 3046/1 kW | 18.9 | 18.9 |
| Displacement cm ³ | 1,116 | 1,116 |
| Engine RPM rpm | 3000 | |
| Travel speed km/h | 14 | 14 |
| Articulation angle ° | 33 | 33 |
| Pendulum angle ° | 15 | 15 |
| Turning radius mm | 3,200 | 3,200 |
| Gradeability % | 45 | 45 |
| Tires | 10.00/75-15 | 6.00/16 |
| L x W x H mm | 3080 x 1180 x 2580 | 3080 x 990 x 2580 |
| Steering pump | Axial piston pump | Axial piston pump |
| Flow rate l/min | 84 | 84 |
| Operating pressure bar | 360 | 360 |
| Duty pump | Gear pump | Gear pump |
| Flow rate l/min | 25 | 25 |
| Operating pressure bar | 170 | 170 |
| Fuel tank capacity l | 15 | 15 |
| Sound level (LwA) dB(A) | 101 | 101 |

1001 Dimensions



| | | High tip skip | Narrow |
|---|---------------------------------------|---------------|----------|
| A | Overall length | 3,080 mm | 3,080 mm |
| B | Wheelbase | 1,500 mm | 1,500 mm |
| C | Rear overhang | 810 mm | 810 mm |
| D | Height | 1,825 mm | 1,825 mm |
| E | Dumping distance | 510 mm | 510 mm |
| F | Width vehicle | 1,180 mm | 990 mm |
| G | Skip width | 990 mm | 990 mm |
| H | Height ROPS | 2,580 mm | 2,580 mm |
| I | Height ROPS tipped | 2,080 mm | 2,080 mm |
| K | Dump height max. | 465 mm | 465 mm |
| K | Dump height max. High tip skip raised | 1,560 mm | 1,140 mm |
| L | Skip height tipped | 1,770 mm | 1,770 mm |
| L | Skip height High tip skip raised | 2,860 mm | 2,440 mm |
| M | Skip height | 1,230 mm | 1,230 mm |
| O | Ground clearance | 270 mm | 270 mm |
| P | Seat height | 1,850 mm | 1,850 mm |
| Q | Distance | 327 mm | 327 mm |

Please note: that product availability can vary from country to country. It is possible that information / products may not be available in your country. More detailed information on engine power can be found in the operator's manual; the stated power may vary due to specific operating conditions. Subject to alterations and errors excepted. Applicable also to illustrations.
Copyright © 2019 Wacker Neuson SE.