



Cat[®] 216B Series 2

SKID STEER LOADER

FEATURES:

The Cat[®] 216B Series 2 Skid Steer Loader, with its radial lift design, delivers excellent digging performance with outstanding drawbar power. The 216B Series 2 features the following:

- **Ergonomic operator station** features easy to use pilot operated joystick controls for reduced operator fatigue and increased productivity.
- **High performance power train** provides high engine horsepower and torque, allowing part-throttle operation for lower sound levels and fuel consumption.
- **Advanced hydraulic system** is designed for maximum power and reliability.
- **Easy routine maintenance** helps reduce machine downtime for greater productivity.
- **Broad range of performance matched Cat[®] Work Tools** make the Cat Skid Steer Loader the most versatile machine on the jobsite.

Specifications

Engine

| | | |
|-----------------------|-----------------------|---------------------|
| Engine Model | Cat [®] C2.2 | |
| Gross Power SAE J1995 | 38 kW | 51 hp |
| Net Power SAE 1349 | 35 kW | 47 hp |
| Displacement | 2.2 L | 134 in ³ |
| Stroke | 100 mm | 3.9 in |
| Bore | 84 mm | 3.3 in |

Weights

| | | |
|------------------|---------|----------|
| Operating Weight | 2581 kg | 5,609 lb |
|------------------|---------|----------|

Power Train

| | | |
|-----------------------------------|-----------|---------|
| Travel Speed (Forward or Reverse) | 11.3 km/h | 7.0 mph |
|-----------------------------------|-----------|---------|

Hydraulic System

| | | |
|----------------------------|------------|--------------|
| Hydraulic Flow – Standard: | | |
| Loader Hydraulic Pressure | 23 000 kPa | 3,335 psi |
| Loader Hydraulic Flow | 60 L/min | 15.6 gal/min |
| Hydraulic Power | 22.7 kW | 30.4 hp |

Operating Specifications

| | | |
|---|---------|----------|
| Rated Operating Capacity | 635 kg | 1,400 lb |
| Rated Operating Capacity with Optional Counterweight | 680 kg | 1,500 lb |
| Tipping Load | 1270 kg | 2,800 lb |
| Breakout Force, Tilt Cylinder | 1852 kg | 4,083 lb |

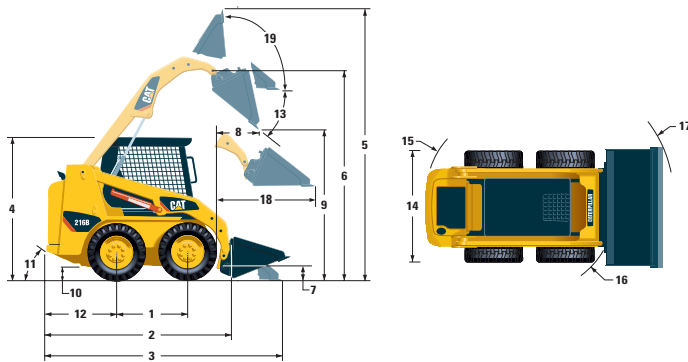
Cab

| | |
|---------------|---|
| ROPS | SAE J1040 MAY94, ISO 3471:1994 |
| FOPS | SAEJ/ISO 3449 APR98 Level I, ISO 3449:1992 Level I |
| FOPS Level II | SAEJ/ISO 3449 APR98 Level II, ISO 3449:1992 Level II (optional) |

Service Refill Capacities

| | | |
|----------------------|------|----------|
| Chain box, each side | 6 L | 1.6 gal |
| Cooling System | 10 L | 2.6 gal |
| Engine Crankcase | 10 L | 2.6 gal |
| Fuel Tank | 58 L | 15.4 gal |
| Hydraulic System | 55 L | 14.5 gal |
| Hydraulic Tank | 35 L | 9.2 gal |

216B Series 2 Skid Steer Loader



Dimensions

| | | |
|--|---------|---------|
| 1 Wheelbase | 986 mm | 39 in |
| 2 Length w/o Bucket | 2519 mm | 99 in |
| 3 Length w/Bucket on Ground | 3233 mm | 127 in |
| 4 Height to Top of Cab | 1950 mm | 77 in |
| 5 Maximum Overall Height | 3709 mm | 146 in |
| 6 Bucket Pin Height at Maximum Lift | 2854 mm | 112 in |
| 7 Bucket Pin Height at Carry Position | 239 mm | 9.3 in |
| 8 Reach at Maximum Lift and Dump | 505 mm | 20 in |
| 9 Clearance at Maximum Lift and Dump | 2169 mm | 85 in |
| 10 Ground Clearance | 195 mm | 8 in |
| 11 Departure Angle | 26° | |
| 12 Bumper Overhang Behind Rear Axle | 967 mm | 38 in |
| 13 Maximum Dump Angle | 40° | |
| 14 Vehicle Width over Tires | 1525 mm | 60 in |
| 15 Turning Radius from Center – Machine Rear | 1485 mm | 58.5 in |
| 16 Turning Radius from Center – Coupler | 1199 mm | 47.2 in |
| 17 Turning Radius from Center – Bucket | 1940 mm | 76.4 in |
| 18 Maximum Reach w/Arms Parallel to Ground | 1280 mm | 50.4 in |
| 19 Rack Back Angle at Maximum Height | 96.7° | |

MANDATORY EQUIPMENT

- Quick Coupler, Mechanical or Hydraulic
- Seat Belt, 50 mm (2 in) or 75 mm (3 in)

COMFORT PACKAGE (must select one of the following)

- Open ROPS (C0): *Static Seat*
- Open ROPS (C1): *Suspension Seat, Cup Holder*
- Enclosed ROPS (C2): *C1 + Heater, Cab Door, Side Windows, Cab Debris Barrier*

CONTROL PACKAGE (must select one of the following)

- Control Package 1: *On/Off Auxiliary Hydraulics Basic*
- Control Package 2: *Proportional Auxiliary Hydraulics Deluxe*

STANDARD EQUIPMENT

ELECTRICAL

- 12 volt Electrical System
- 65 ampere Alternator
- Ignition Key Start/Stop Switch
- Lights: *Gauge Backlighting, Two Rear Tail Lights, Two Adjustable Front and Rear Halogen Lights, Dome Light*

OPERATOR ENVIRONMENT

- Gauges: *Fuel Level, Hour Meter*
- Operator Warning System Indicators: *Air Filter Restriction, Alternator Output, Armrest Raised/Operator Out of Seat, Engine Coolant Temperature, Engine Oil Pressure, Glow Plug Activation, Hydraulic Filter Restriction, Hydraulic Oil Temperature, Parking Brake Engaged*
- Vinyl Seat
- Pull Down Ergonomic Contoured Armrest
- Control Interlock System, when operator leaves seat or armrest raised: *Hydraulic System Disables, Hydrostatic Transmission Disables, Parking Brake Engages*
- ROPS Cab, Open, Tilt Up
- FOPS, Level I
- Top and Rear Windows
- Headliner, Deluxe
- Floor Mat
- Interior Rear View Mirror
- 12 volt Electric Socket
- Horn
- Backup Alarm

POWER TRAIN

- Cat® C2.2 Tier 4 Interim Compliant Diesel Engine
- Air Cleaner, Dual Element, Radial Seal
- S-O-SSM Sampling Valves, Engine Oil and Hydraulic Oil
- Filters: Spin on, Hydraulic
- Filters: Bayonet-type, Fuel and Water Separator
- Tilt Up Radiator/Hydraulic Oil Cooler
- Muffler, Standard
- Spring Applied, Hydraulically Released, Wet Multi Disc Parking Brakes
- Hydrostatic Transmission
- Four Wheel Chain Drive

OTHER

- Engine Enclosure, Lockable
- Extended Life Antifreeze, -36° C (-33° F)
- Machine Tie Down Points (4)
- Support, Lift Arm
- Hydraulic Oil Level Sight Gauge
- Radiator Coolant Level Sight Gauge
- Radiator, Expansion Bottle
- Cat® ToughGuard™ Hose
- Auxiliary, Hydraulics, Continuous Flow
- Heavy Duty, Flat Faced Quick Disconnects
- Split D-Ring to Route Work Tool Hoses Along Side of Left Lift Arm
- Electrical Outlet, Beacon
- Belly Pan Cleanout

OPTIONAL ATTACHMENTS

- Counterweight, increases rated operating capacity 45 kg (100 lb)
- Beacon, Rotating
- Engine Block Heater – 120V or 240V
- Oil, Hydraulic, Cold Operation
- Paint, Custom
- Heavy Duty Battery, 850 CCA

For more complete information on Cat products, dealer services, and industry solutions, visit us on the web at www.cat.com

AEHQ5895-02 (11-07)

© 2007 Caterpillar
All Rights Reserved
Printed in U.S.A.

Materials and specifications are subject to change without notice. Featured machines in photos may include additional equipment. See your Caterpillar dealer for available options.

CAT, CATERPILLAR, SAFETY.CAT.COM, their respective logos, "Caterpillar Yellow" and the POWER EDGE trade dress, as well as corporate and product identity used herein, are trademarks of Caterpillar and may not be used without permission.

CATERPILLAR®